

Single Phase Meter Quick Installation Guide

-Version 1.3

1. Scope

The following models of Solis inverters have integrated the export power limitation function as well as 24hour consumption monitoring function. To enable the functions, please refer to below installation guide to install the single phase meter and follow the inverter user manual to set the inverter settings.

2. Meter Installation



NOTE:

The meter has been preset for direct installation on site. No need to change any parameters on the meter.



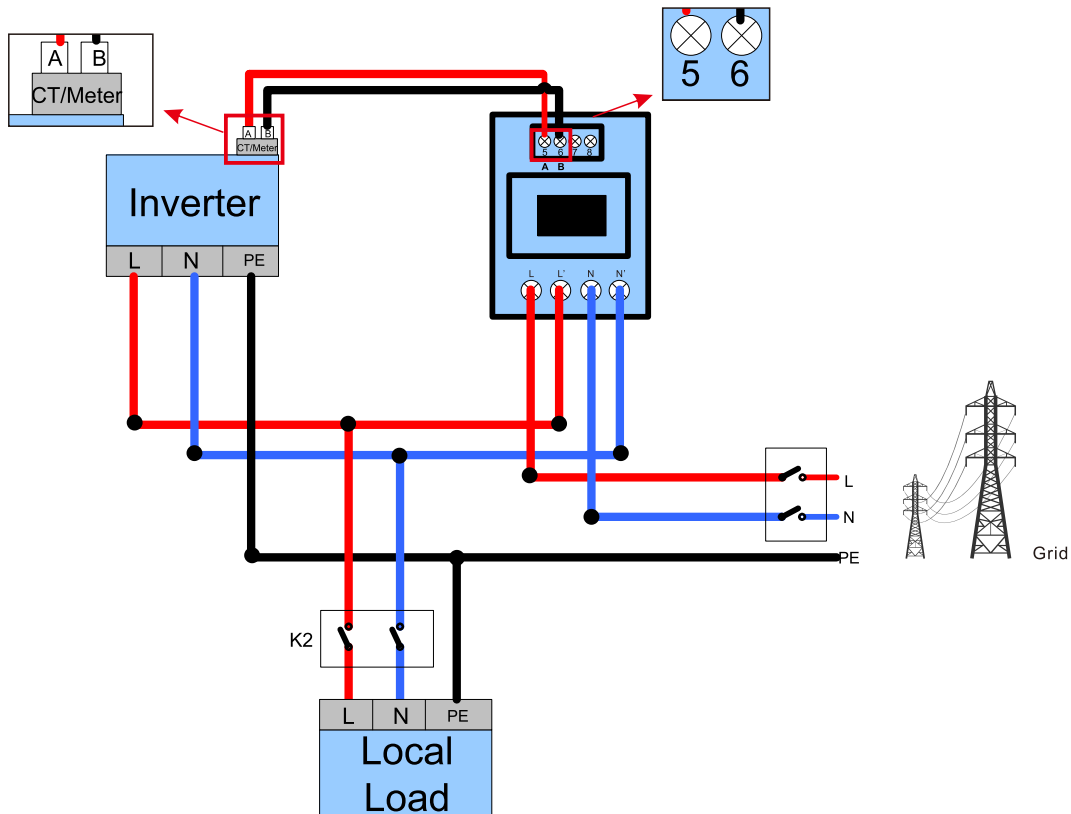
WARNING:

Please disconnect or switch off the upstream and downstream electrical connection before conduct the meter installation. Otherwise there will be risk of electric shock.

The Single phase meter



System drawing



**NOTE:**

When connect the meter, make sure the mark "L" and "N" are connected at the Gride side, and the "L'" and "N'" are connected at the inverter/load side.

3. Meter Specification

Model Name	DDSD 1352
Grid Topology	1P+N
Rated Voltage	220V/230V
Input Current	10(60)A (Max 63A)
Accuracy	Voltage $\pm 0.2\%$ Current $\pm 0.2\%$ Power(P,Q,S) $\pm 0.5\%$ Active Energy Class 1 Reactive Energy Class 2
Operating Temperature	-25°C~55°C
Relative Humidity	<95% (Non-condensing)
Dimension	36L*89W*62H (mm)